




DLL2020-W

Presentation Scanner

Features

- Small footprint
- High "First-Pass" rate
- Shock resistant and Antiskid design
- Flexible connectivity and easy to expand
- Ergonomics and easy to use
- High reliability
- OLE for POS compliance 

Applications

- Drugstore
- Petrol Stations
- Cash & Carry
- Pharmacies
- Backroom receiving
- Convenience stores
- Department stores
- Book stores and Tobacco shops
- Light Industrial environments
- OEM vertical markets

General Description

Datalogic's offer is now enhanced with the new **DLL2020-W DIAMOND™** Presentation Scanner, capable of improving any type of Point of Sale application. Considering the importance given to space at Point of Sale, the **DLL2020-W** arrives on the market with the most compact footprint so that it could fit practically anywhere.

The advanced technology applied to this compact scanner provides major benefits in reading performance and guarantees the highest "First-Pass" decoding rate. The ergonomics and ease of use are enhanced by the built-in protecting sleeve, which protect the unit from shocks and prevents possible drops from the counter thanks to the Antiskid feature. Furthermore, the particular shape leaves the user with no worries about how to place it on the counter because the **DLL2020-W** can read in any position.

Using a high visible laser diode, the omni-directional scan field of the **DLL2020-W** generates a scan pattern of 16 lines, capable of 800 scan lines per second. Whenever data has been read correctly, the LED and adjustable tone beeper immediately communicate the event to the operator.

A configurable "sleep" mode is available to minimise power consumption when the unit is idle. The **DLL2020-W** "wakes-up" by simply pressing the button on the upper side of the device.

Connection of the **DLL2020-W** to the POS is guaranteed by an efficient series of plug-in cables. In addition, the **DLL2020-W** can be directly powered by the POS system, without the external power supply, reducing the number of cables near the counter.

The **DIAMOND's™** main features include compactness, flexibility, reliability and connectivity, making it a cost-effective investment that meets current and future Point of Sale requirements, as well as maximising customer service.

Models and Accessories

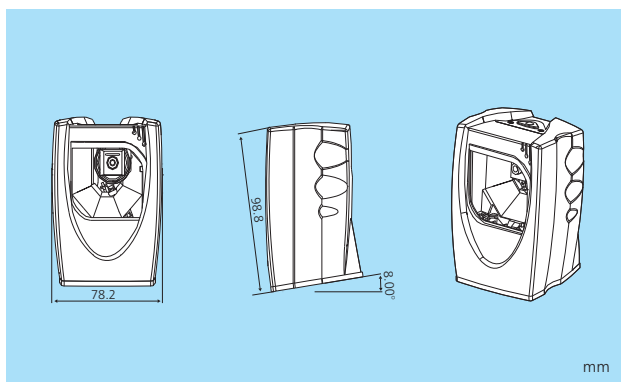
MODEL	DESCRIPTION	ORDER NO.
DLL2020-W0	Presentation scanner	902301030
ACCESSORIES	COILED CABLE	STRAIGHT CABLE
CAB-376	Universal Adapter cable	90A051500
CAB362*	RS232 cable, 9-pin female connector (DCE config.)	90A051330
CAB363*	RS232 cable, 25-pin female connector (DCE config.)	90A051340
CAB364*	RS232 cable, 25-pin male connector (DTE config.)	90A051350
CAB365*	IBM PS/2 wedge cable, minidin connector	90A051360
CAB366*	IBM AT/XT wedge cable, din connector	90A051370
CAB327*	RS232 cable, 9-pin female connector (DCE config.)	90G001070
CAB328*	RS232 cable, 25-pin female connector cable (DCE config.)	90G001080
CAB320*	RS232 cable, 25-pin male connector (DTE config.)	90G001000
CAB321*	IBM PS/2 wedge cable, minidin connector	90G001010
CAB322*	IBM AT/XT wedge cable, din connector	90G001020
CAB-378	RS232 DIRECT cable, 9-pin male, with direct power on pin 9	90A051520
CAB-379	IBM AT/XT wedge DIRECT cable, minidin connector	90A051530
Operator's manual	DLL2020 operator's manual	90ACC1620
ADB-102	5P din T-pass adapter	90ACC1030
ADP-103	6P minidin T-pass adapter	90ACC1040
PG5 (110 Vac)	Power supply unit	B9751038
PG5 (220 Vac)	Power supply unit	B9751037

*Note: These cables require CAB-376 to be connected to the DLL2020.

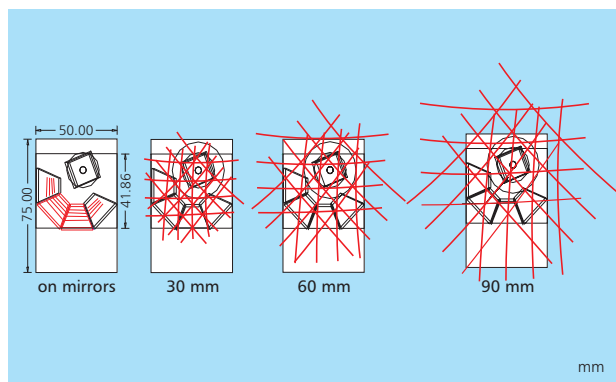
Specifications

POWER SUPPLY	+5 VDC \pm 5%; Direct power from host is supported	BAR CODES	EAN/UPC/JAN including AddOn, Code 128, EAN128, Code 39, Code 32, Codabar, Interleaved 2/5
CONSUMPTION	< 250 mA @ 5 VDC	INTERFACES	RS232, Keyboard Wedge
LIGHT SOURCE	650 nm VLD	DEPTH OF FIELD (EAN 100%)	150 mm
SCAN DIRECTIONS	4	DIMENSIONS (with sleeve)	100 x 70 x 65 mm
SCAN RATE	50 frames/sec	WEIGHT (with sleeve)	300 g
SCAN LINES PER SECOND	800	CASE MATERIAL	ABS
SCAN PATTERN	16 lines	CABLE LENGTH	2 m
READING INDICATORS	Beeper (tone user selectable) and 2 colored Leds (green, red), "Good Read," "Sleep mode"	OPERATING TEMPERATURE	0 to 40°C
		STORAGE TEMPERATURE	-40 to 70°C
		HUMIDITY	0 - 95%

Dimensions



Scan Pattern



DATA LOGIC DL
Bar Code & More



We reserve the right to make modifications and improvements

Product and company names and logos referenced may be either trademarks or registered trademarks of their respective companies.

Australia
Datalogic PTY. LTD.
Tel. +61 3/95589299
Fax +61 3/95589233
sales@datalogic.com.au

Austria
Datalogic Handelges. MBH
Tel. +43 2236/25882
Fax +43 2236/258825
office@datalogic.co.at

Denmark
Datalogic AB
Tel. +45 44/209970
Fax +45 44/209972
info@datalogic.se

France
Datalogic France S.A.
Tel. +33 1/60921111
Fax +33 1/60921340
dlfrance@worldnet.fr

Germany
Datalogic GmbH
Tel. +49 7026/6080
Fax +49 7026/5746
info@datalogic.de

India
Datalogic (India) Private Ltd.
Tel. +91 80/5584440
Fax +91 80/5582896
datalogic@vsnl.com

Italy
Datalogic S.p.A.
Tel. +39 051/6459211
Fax +39 051/726562
info@datalogic.it

Japan
Izumi Datalogic Co., Ltd.
Tel. +81 78/2723400
Fax +81 78/2722003
idlmarke@izumi-datalogic.co.jp

Netherlands
Datalogic Optic Electronics BV
Tel. +31 346/572888
Fax +31 346/568736
info@datalogic.nl

Spain
Datalogic France S.A.
Tel. +34 93/3221227
Fax +34 93/4394136
datalogic@sei.es

Sweden
Datalogic AB
Tel. +46 40/385000
Fax +46 40/181849
info@datalogic.se

United Kingdom
Datalogic UK Ltd.
Tel. +44 1582/464900
Fax +44 1582/464999
enquiries@datalogic.demon.co.uk

U.S.A.
Datalogic Inc.
Tel. +1 606/6897000
Fax +1 606/3344970
info@datalogic.com

Datalogic Quality Partner



These products are available through the European network of Datalogic Quality Partners.

